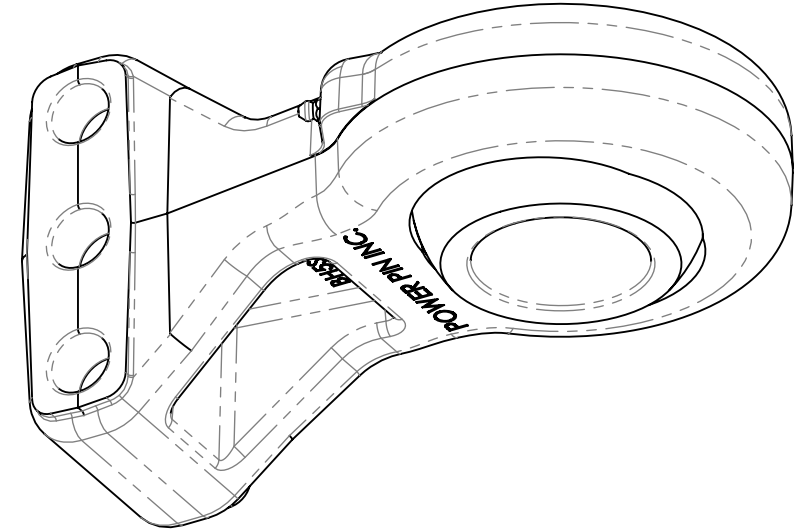
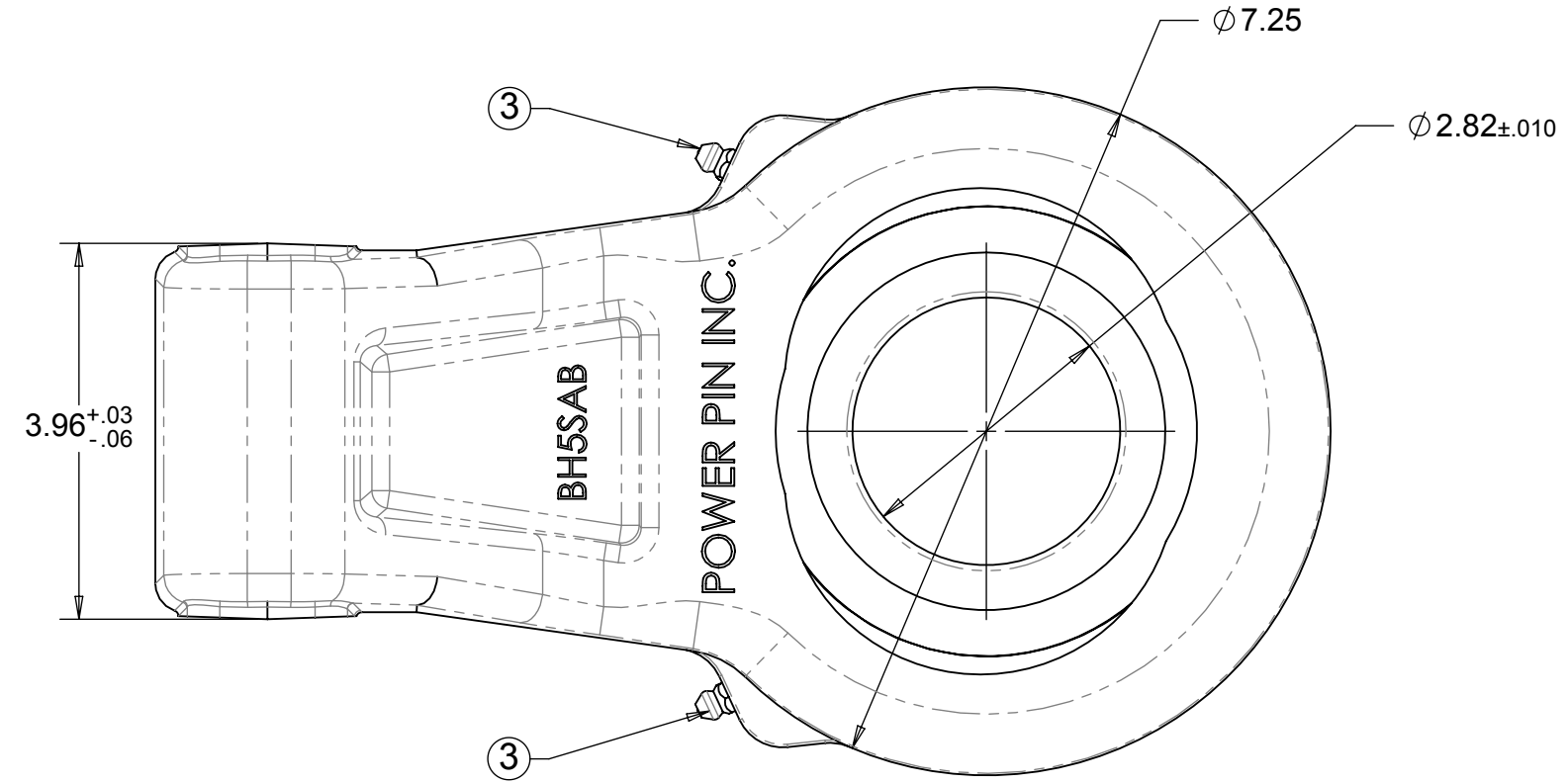
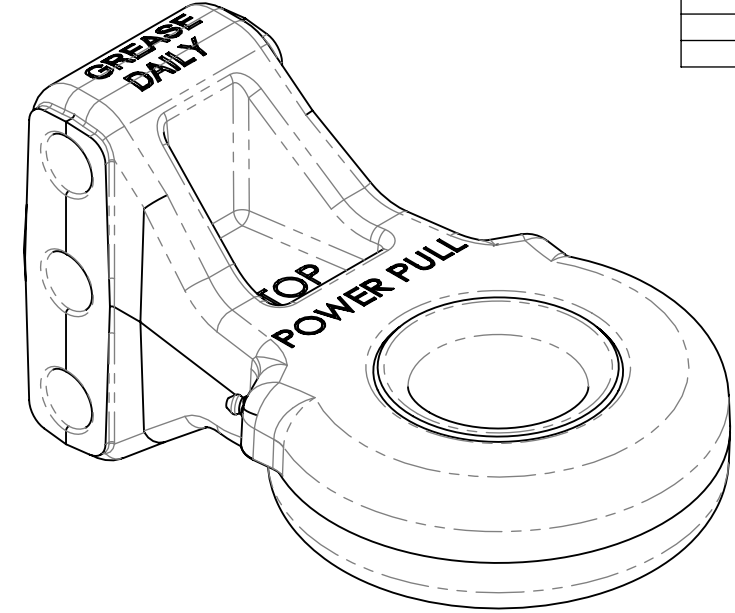
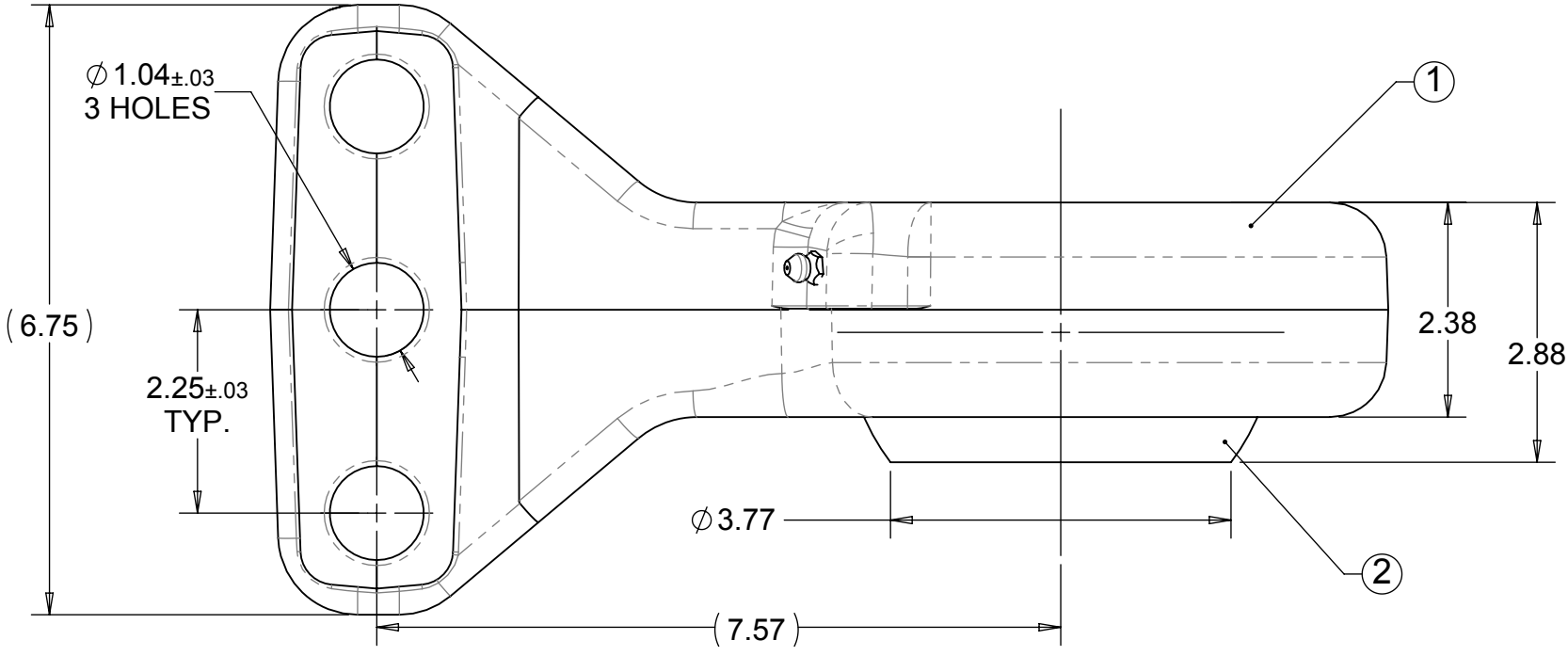


REVISIONS			
REV.	DATE	REVISION	APPROVED



ITEM NO.	PART OR IDENTIFYING NO.	NOMENCLATURE OR DESCRIPTION	MATERIAL SPECIFICATION	QTY REQD
3	HM29	.25 - 28 STRAIGHT THREAD	STEEL	2
2	HM33B	2.75" ID HARDENED SPHERICAL BUSHING	STEEL	1
1	BH5SAB	CAT.4 BASE HITCH	GRADE 3 ADI	1

UNLESS OTHERWISE SPECIFIED:  
 DIMENSIONS ARE IN INCHES  
 TOLERANCES:  
 FRACTIONAL ± 1/16  
 ANGULAR: MACH ± 1° BEND ±  
 TWO PLACE DECIMAL ±.060  
 THREE PLACE DECIMAL ±.030

INTERPRET GEOMETRIC TOLERANCING PER:  
 MATERIAL GRADE 3 ADI  
 FINISH  
 DO NOT SCALE DRAWING

	NAME	DATE
DRAWN	LW	SEPT 27/12
CHECKED		
ENG APPR.		
MFG APPR.		
Q.A.		

**POWER PIN INC.**

TITLE:  
**CAT.5 BALL HITCH ASSEMBLY**  
 STEP DOWN BUSHING TO 2" OPTIONAL

SIZE <b>B</b>	DWG. NO. <b>BH5SABA</b>	REV <b>0</b>
------------------	----------------------------	-----------------

SCALE: 1:2    WEIGHT: 40.7 LB.    SHEET 1 OF 1